

# Masport<sup>®</sup> Heating

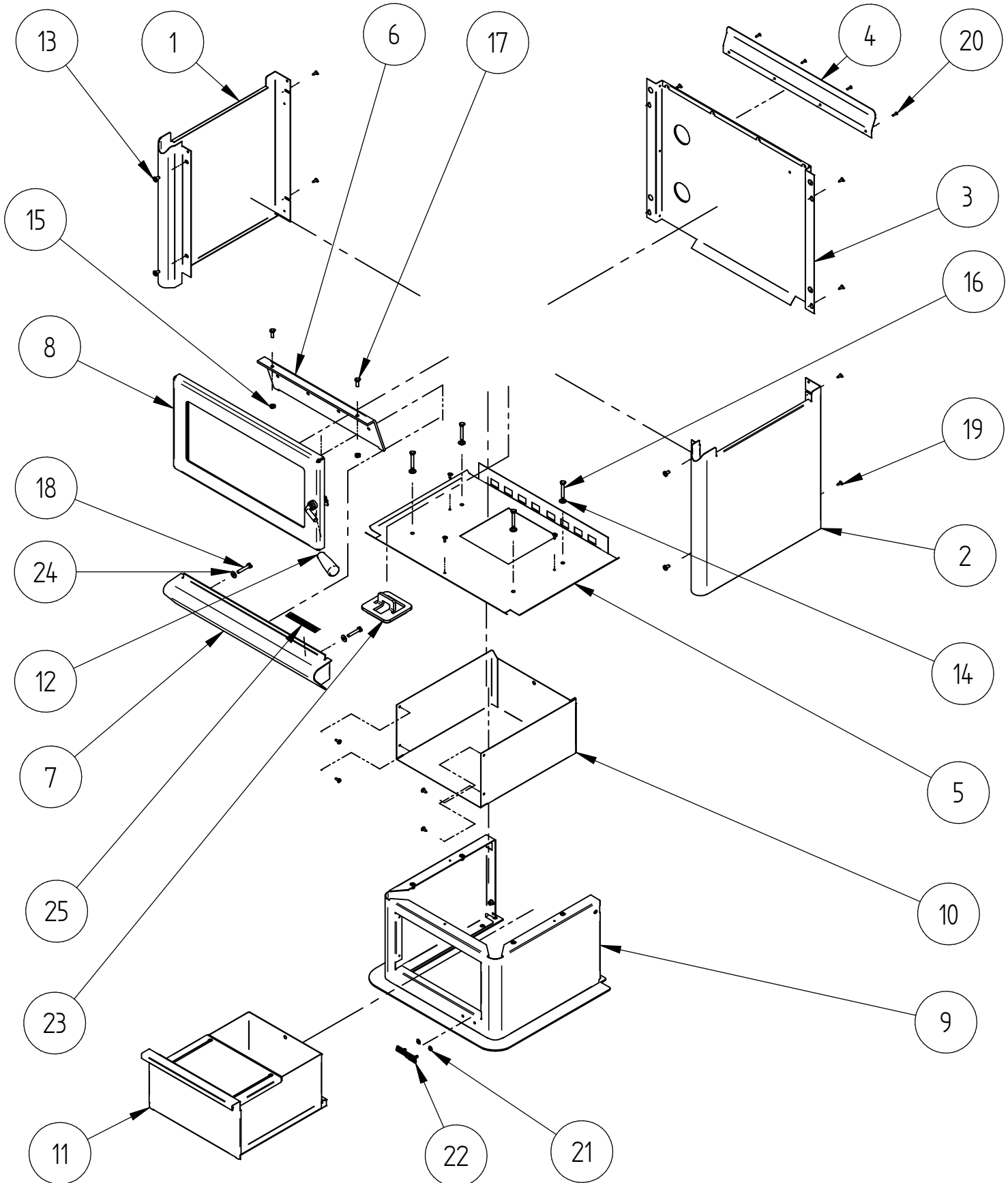
## FREESTANDING WOOD FIRES

### R1600 - NEW ZEALAND

Item No.	MARKET	FUEL TYPE	FINISH	YEAR	FAN
993926	NZ	SOFTWOOD	Matt Black VHT Paint	FEB-2013	No



## PANELS, DOOR AND PEDESTAL

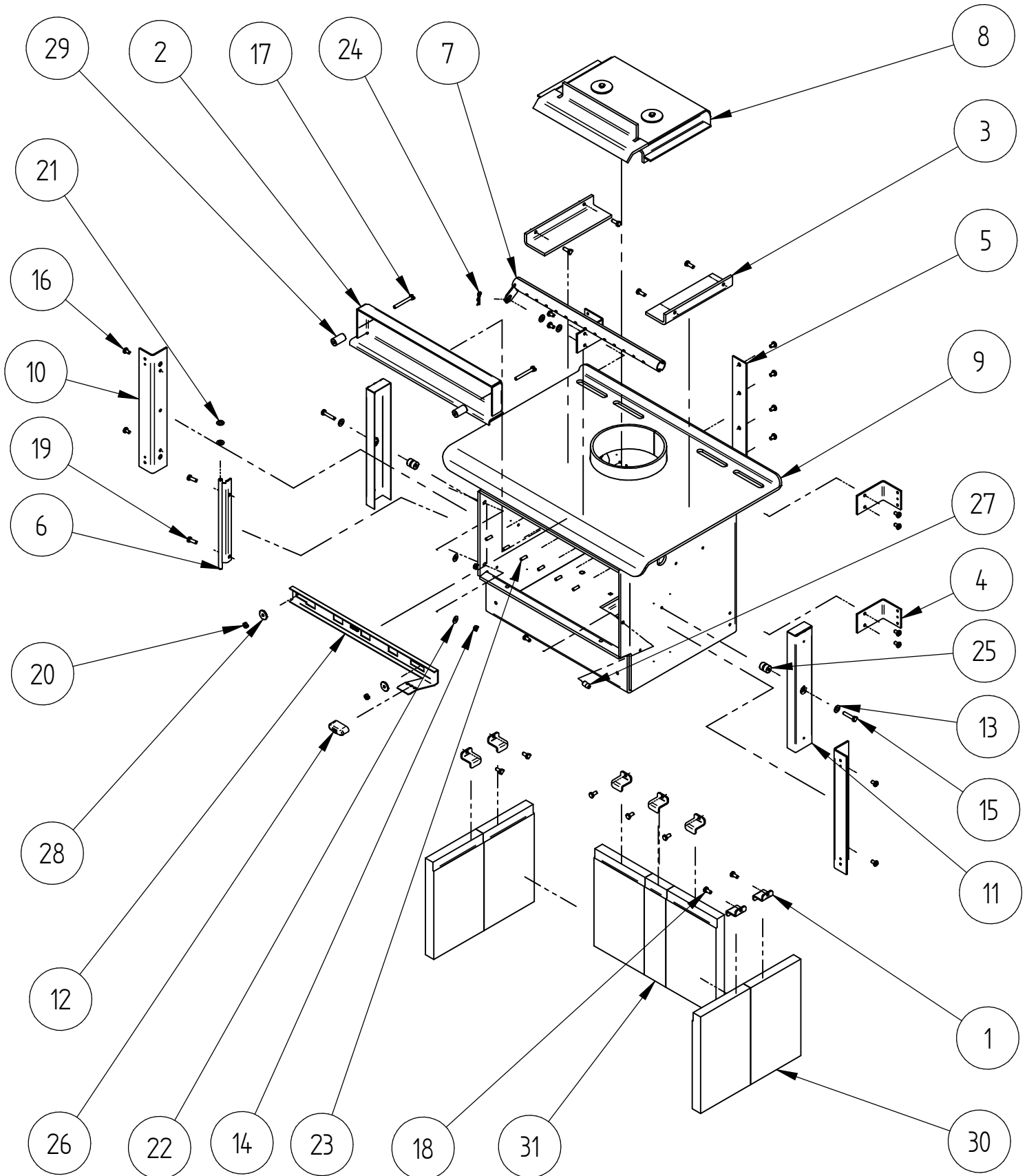


When ordering PLEASE QUOTE PART ID along with Finish Suffix (if applicable)

PANELS, DOOR AND PEDESTAL				
Item	Part ID	Model(s)	Description	Qty
		993926		
1	993756	V02	R1500 SIDE PANEL L/H	1
2	993755	V02	R1500 R/H SIDE PANEL	1
3	993759	-	R1500 REAR PANEL	1
4	993770	V02	F1500 REAR H/S PANEL EXTENTION	1
5	993799	-	R1600 BASE HEAT SHIELD	1
6	993776	-	R1500 F/B BASE AIR DEFLECTOR	1
7	993768	V02	R1500 ASHLIP ASSEMBLY	1
8	993790	V02	R1500 FINISHED DOOR ASSEMBLY	1
9	993795	V02	R1600 PEDESTAL SUB ASSY	1
10	983253	-	R5000 PED ASH DRAWER SUPPORT	1
11	983248	V02	R5000 ASH DRAWER ASSY	1
12	MIC00376	-	MIC DOOR HANDLE	1
13	521045	-	SCREW; M6X10 PAN POZI BLK	4
14	523019	-	WASHER; FLAT 5/16"X5/8"X16G ZP	4
15	522107	-	NUT; HEX STD M6 BLK	2
16	521077	-	SCREW; M6X40 HEX ZP	4
17	521052	-	SCREW; M6X16 HEX BLK	2
18	521060	-	SCREW; M6X35 HEX ZP	2
19	521645	-	SCREW; S/T 8GX1/2" MUSH FLANGE POZI BLK	15
20	524003	-	RIVET; 73 AS 4-5	4
21	526009	-	CLIP; STARLOCK M4	2
22	587835	-	BADGE MASPORT HEATING	1
23	983019	V02	PLUG SHEET METAL	1
24	523036	-	WASHER; FLAT 1/4"X5/8" BLK	2
25	595695	-	DECAL "BURN ONLY" COMBINED NZ/AUS	1

When ordering PLEASE QUOTE PART ID along with Finish Suffix (if applicable)

# AIRSLIDE, BAFFLE, BRICKS AND FIREBOX



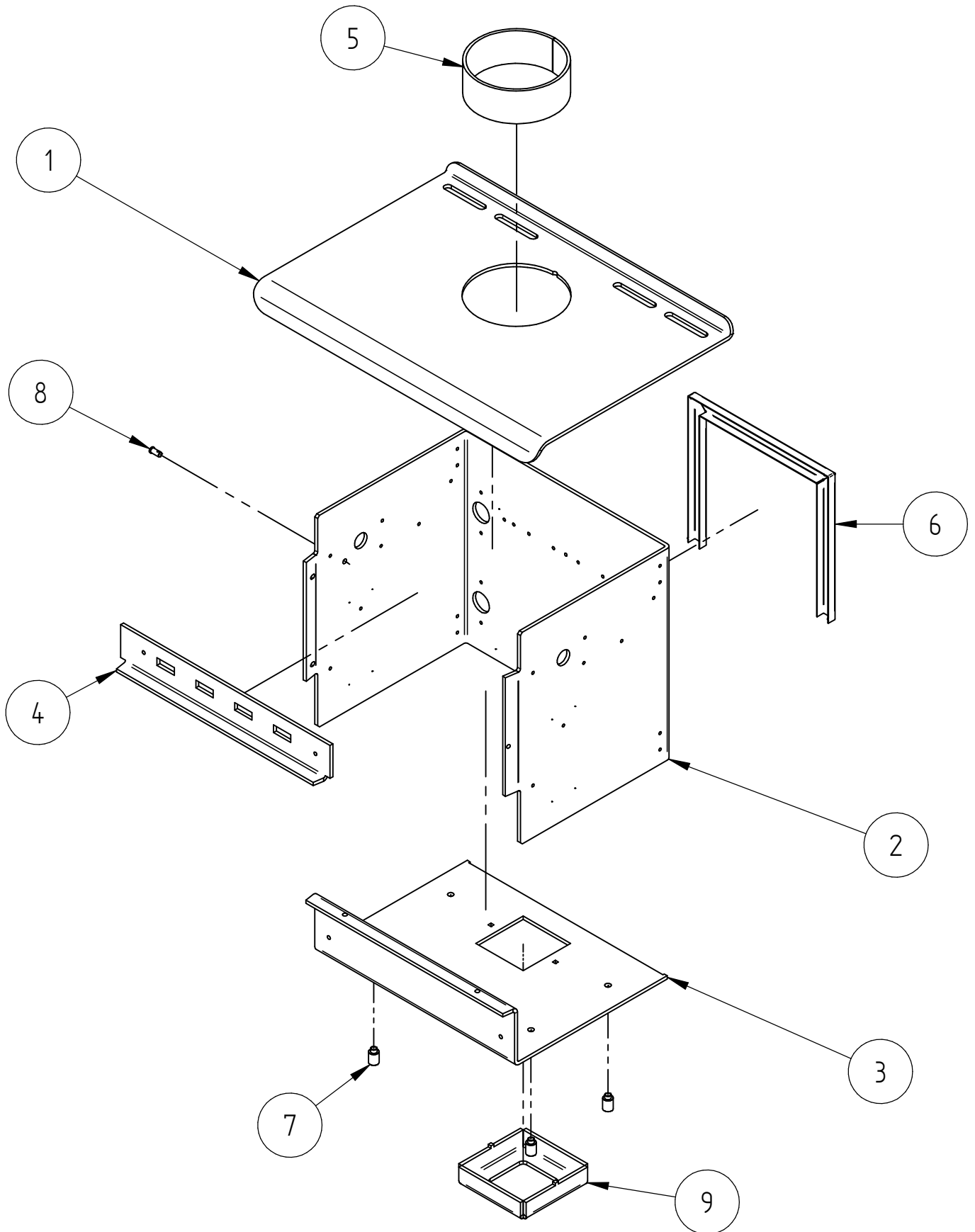
When ordering PLEASE QUOTE PART ID along with Finish Suffix (if applicable)

AIRSLIDE, BAFFLE, BRICKS AND FIREBOX				
Item	Part ID	Model(s)	Description	Qty
		993926		
1	HBA00118	-	HBA BRICK RETAINER	7
2	MIC00102	-	MIC AIR DEFLECTOR	1
3	MIC00116	-	MIC BAFFLE SUPPORTS	2
4	MIC00130	-	MIC REAR BODY MOUNT BRKT	4
5	MIC00135	-	MIC WET BACK COVER PLATE	1
6	MICAC190	-	MIC DOOR HINGE ASSEMBLY	1
7	993777	-	R1500 AIR BAR ASSEMBLY	1
8	993773	-	R1500 BAFFLE SUB ASSEMBLY	1
9	993797	-	R1600 F/B ASSY NZ	1
10	MIR00183	-	MIR DOOR RIDDLE	2
11	MIC00123	-	MIC SEC AIR CHANNEL	2
12	993769	-	R1500 AIRSLIDE	1
13	523019	-	WASHER; FLAT 5/16"X5/8"X16G ZP	4
14	522107	-	NUT; HEX STD M6 BLK	2
15	521059	-	SCREW; M6X30 HEX ZP	2
16	521046	-	SCREW; M6X10 PAN POZI ZP	16
17	521061	-	SCREW; M6X50 HEX ZP	2
18	521075	-	SCREW; M6X12 HEX ZP	8
19	521076	-	SCREW; M6X16 HEX ZP	6
20	522117	-	NUT; HEX STD M6 ZP	2
21	523018	-	WASHER; FLAT 5/16"X5/8" BLK	2
22	523036	-	WASHER; FLAT 1/4"X5/8" BLK	2
23	525002	-	PIN; TENSION 5X16 BLK	6
24	526101	-	CLIP; R-CLIP 1.8 DIA ST	1
25	HBA00129	-	HBA AIR DEFLECTOR SPACER	2
26	593568	-	AIR SLIDE KNOB PUSH ON	1
27	MIC00079	-	LOGAIRE CATCH PIN	1
28	MIC00083	-	LOGAIRE METRO AIR SLIDE SPACER	2
29	MIC00129	-	MIC AIR DEFLECTOR BUSH	2
30	MIC00354	-	MIC BRICK	6
31	MIC00355	-	MIC BRICK HALF	1

\*Optional Sale Kit

When ordering PLEASE QUOTE PART ID along with Finish Suffix (if applicable)

## FIREBOX DETAILS

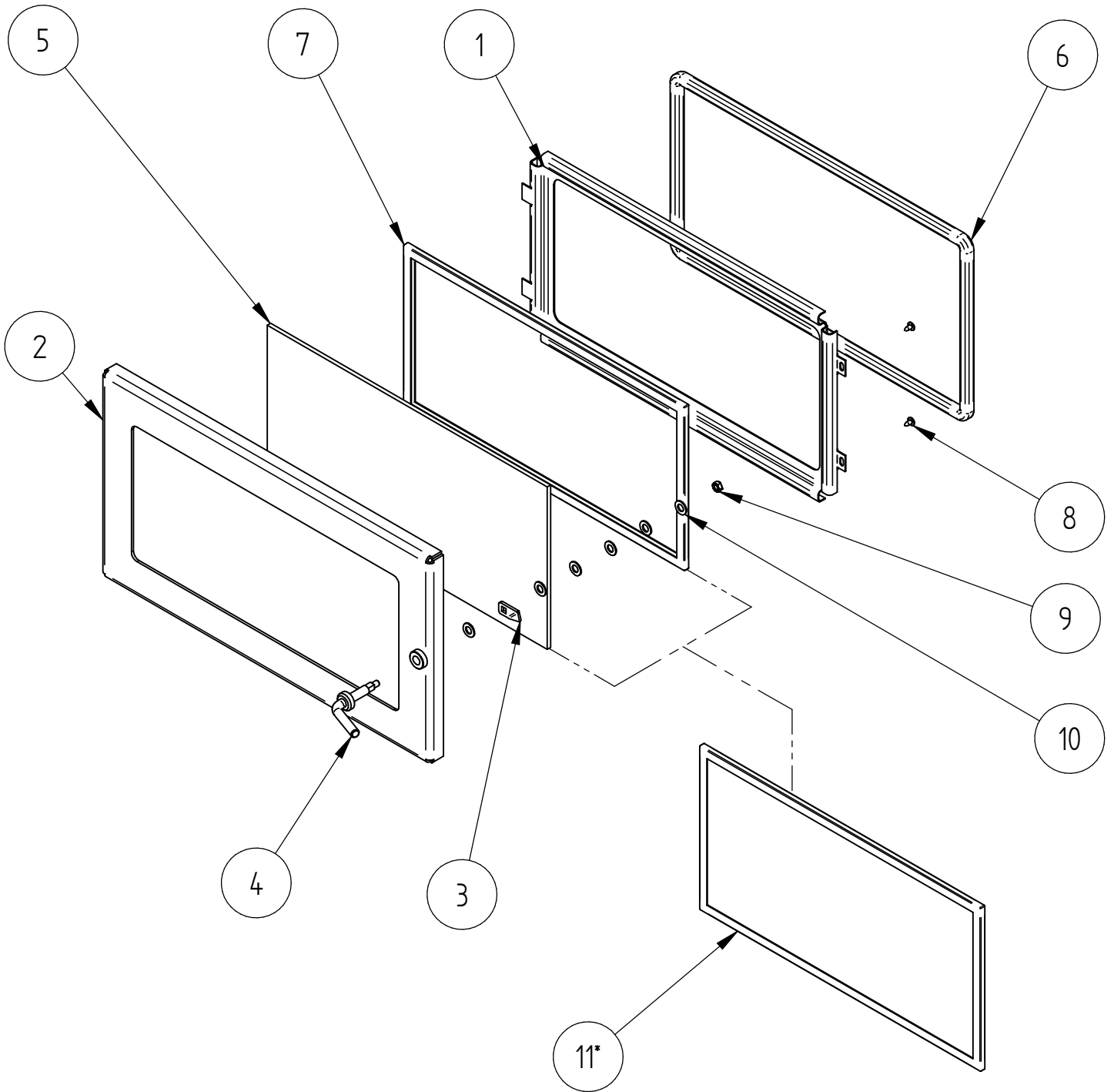


When ordering PLEASE QUOTE PART ID along with Finish Suffix (if applicable)

FIREBOX DETAILS: 993797				
Item	Part ID	Model(s)	Description	Qty
		993926		
1	993751	-	R1500 F/B COOK TOP	1
2	993753	-	R1500 F/B WRAP	1
3	993798	-	R1600 F/B BOTTOM	1
4	993752	-	R1500 F/B TOP FRONT	1
5	MIC00120	-	MIC SPIGOT	1
6	MIR00219	-	MIR REAR HEAT CHANNEL	1
7	MET00429	-	FIREBOX BUSH - SPIGOTED	4
8	MIC00137	-	MIC AIRBAR PIN	1
9	983235	-	R5000 F/B ASH DUMP CAVITY	1

When ordering PLEASE QUOTE PART ID along with Finish Suffix (if applicable)

# DOOR ASSEMBLY



When ordering PLEASE QUOTE PART ID along with Finish Suffix (if applicable)



DOOR ASSEMBLY: 993790				
Item	Part ID	Model(s)	Description	Qty
		993926		
		993797V02		
1	MIC00034	-	MIC GLASS RETAINER	1
2	MWSAC030	V02	MWS DOOR FRAME COMPLETE SUB ASSEMBLY	1
3	MIC00133	-	MIC DOOR LATCH PLATE	1
4	MIC00373	-	DOOR SPINDLE	1
5	MIC00204	-	MIC GLASS	1
6	C13MMDR	-	DOOR ROPE	1
7	C25MMLT	-	LADDER TAPE 25x3x50m ROLL (MTR)	1
8	521627	-	SCREW; S/T 8GX3/8" MUSH FLANGE POZI BLK	2
9	522117	-	NUT; HEX STD M6 ZP	1
10	523018	-	WASHER; FLAT 5/16"X5/8" BLK	6
11*	MICAC204	-	DOOR GLASS KIT	1

\*Optional Sale Kit

NOT ILLUSTRATED				
Item	Part ID	Model(s)	Description	Qty
		993926		
1	593286	-	OWNER MANUAL WOODFIRES	1
2	593287	-	INSTALL MANUAL WOODFIRES	1
3	593791	-	R1500 INSTALLATION DATA SHEET	1
4	593794	-	INSTRUCTION - BRICK LAYOUT	1

SURFACE FINISH CODES FOR PANELS						
VITREOUS ENAMEL		VHT PAINT(Very High Temp)			POWDER COAT	
E01	MATT BLACK	V02	P-000022	METALLIC BLACK	P02	MATT BLACK
E02	GLOSS BLACK	V03	P-000043	CHARCOAL	P03	CHARCOAL
E03	CHARCOAL	V04	P-000081	TITANIUM	P05	SATIN BLACK
		V05	P-000051	CHARCOAL (DAM MET BLK)	P09	METTALIC BLACK
		V06	P-000052	METALLIC BLACK ZINC		

LESS FREQUENTLY OR OLD SURFACE FINISH CODES FOR PANELS						
VITREOUS ENAMEL		VHT PAINT(Very High Temp)			POWDER COAT	
E04	JASMINE	V01		SATIN BLACK HIGH TEMP	P01	BLUE/BLACK
					P04	GLOSS CHARCOAL
					P07	FLAT BLACK

When ordering PLEASE QUOTE PART ID along with Finish Suffix (if applicable)